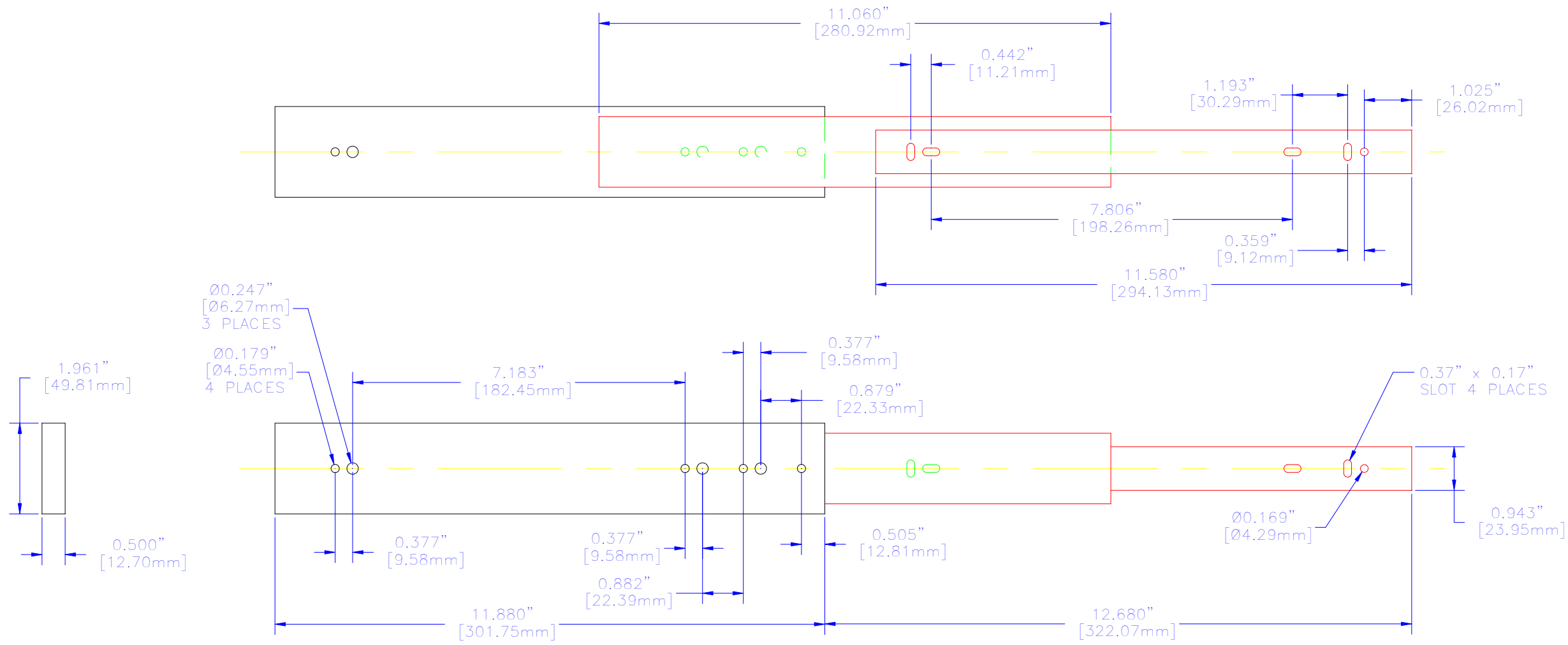


NOTES

LONG LIFE BALL BEARING SLIDES  
 SOLD IN PAIRS  
 WEIGHT LIMIT 120 LBS  
 COMES WITH ASSEMBLY HARDWARE, 2 SLIDES, 4 BRACKETS



For the best fit print on legal size paper.

THIS DRAWING IS PROPRIETARY INFORMATION OF HAMMOND MFG. CO. LTD. NOT TO BE USED WITHOUT EXPRESSED WRITTEN PERMISSION OF HAMMOND MFG. CO. LTD.

△	N/A	REVISED SLOT PATTERN	----	03/31/03	MJM
△	N/A	RELEASE	----	09/18/02	MJM
Re	EC	Description		Dat	B

Unless otherwise specified dimensions are in inches  
 Tolerances are:

.X	± .1
.XX	± .06
.XXX	± .030
.XXXX	± .0015
Holes	± .0010
Angles	± .5°

⊕    ▽

Dw	M. MERCER
Dat	09/18/02
Ch	---
Mat	PLATED STEEL
Sheet	1 of 1

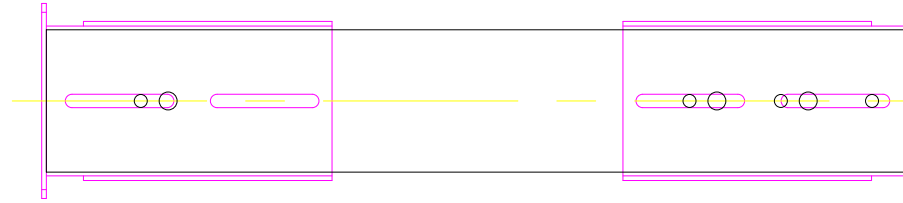
**HAMMOND MANUFACTURING CO. LTD.**  
 Electronics Group, Waterloo, Ont. - Cheektowaga, NY

**HAMMOND RSLIDE SERIES SLIDE**

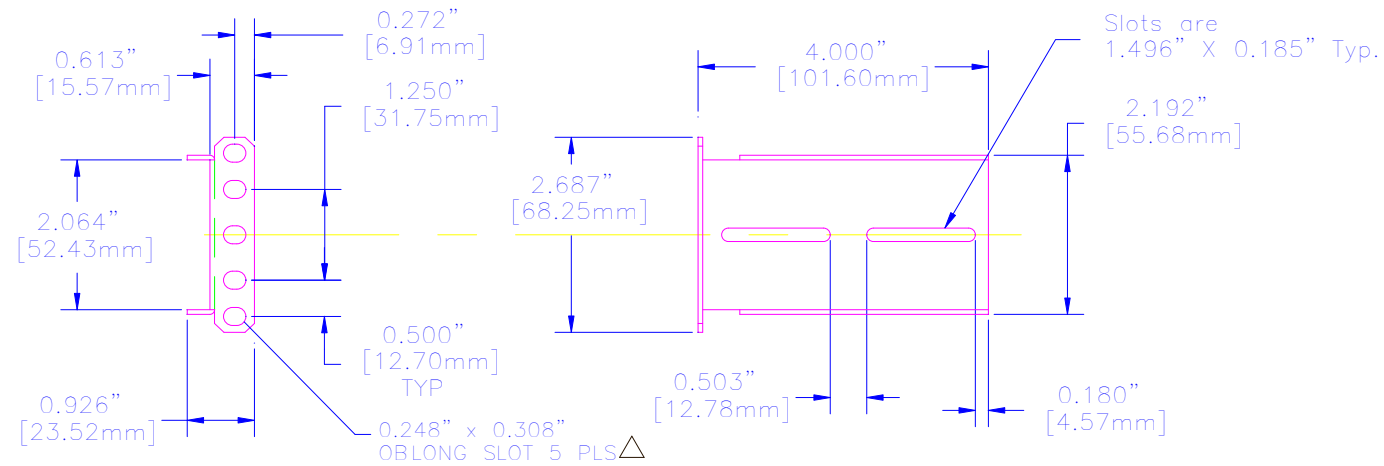
Part# RSLIDE12    Dwg RSLIDE12/B

NOTES

LONG LIFE BALL BEARING SLIDES  
 SOLD IN PAIRS  
 WEIGHT LIMIT 120 LBS  
 COMES WITH ASSEMBLY HARDWARE, 2 SLIDES, 4 BRACKETS



ASSEMBLED VIEW



SLIDE RAIL MOUNT BRACKETS

For the best fit print  
 on legal size paper.

THIS DRAWING IS PROPRIETARY INFORMATION  
 OF HAMMOND MFG. CO. LTD. NOT TO BE  
 USED WITHOUT EXPRESSED WRITTEN  
 PERMISSION OF HAMMOND MFG. CO. LTD.

△	N/A	REVISED SLOT PATTERN	----	03/31/03	MJM
△	N/A	RELEASE	----	09/18/02	MJM
Re	EC	Description		Dat	B

Unless otherwise spec'd  
 dimensions are in inches  
 Tolerances are:

.X	± .1
.XX	± .06
.XXX	± .030
.XXXX	± .0015
Holes	± .0010
Angles	± .5°

Dw	M. MERCER
Dat	09/18/02
Ch	---
Mat'	PLATED STEEL
Sheet	2 of 2

HAMMOND MANUFACTURING CO. LTD. Electronics Group, Waterloo, Ont. - Cheektowaga, NY	
HAMMOND RSLIDE SERIES SLIDE	
Part#	RSLIDE12
Dwg	RSLIDE12/B